



SERVING THE FOOD INDUSTRY SINCE 1951

Refrigerated Sushi Showcases with Flat Glass

Item:	43492	44393	44394	44395
Model:	RS-CN-0044	RS-CN-0064	RS-CN-0084	RS-CN-0104



44395
RS-CN-0104
3.67 cu.ft. / 104 L

44394
RS-CN-0084
2.96 cu.ft. / 84 L

44393
RS-CN-0064
2.26 cu.ft. / 64 L

43492
RS-CN-0044
1.55 cu.ft. / 44 L

Omcan's refrigerated sushi cases are perfect for merchandising a variety of sushi, keeping them fresh and delicious. Ideal for sushi bars and restaurants

FEATURES:

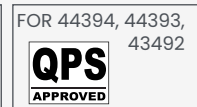
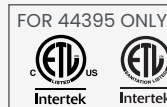
- Brilliant Internal LED illumination on top
- Additional non-refrigerated upper shelf for extra storage
- Digital temperature controller and display
- Front flat glass
- Sliding doors
- Direct cooling system
- GN pan can be ordered



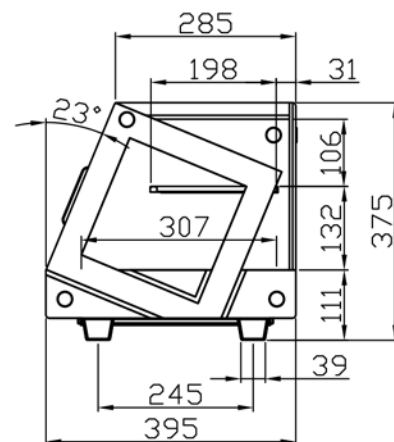
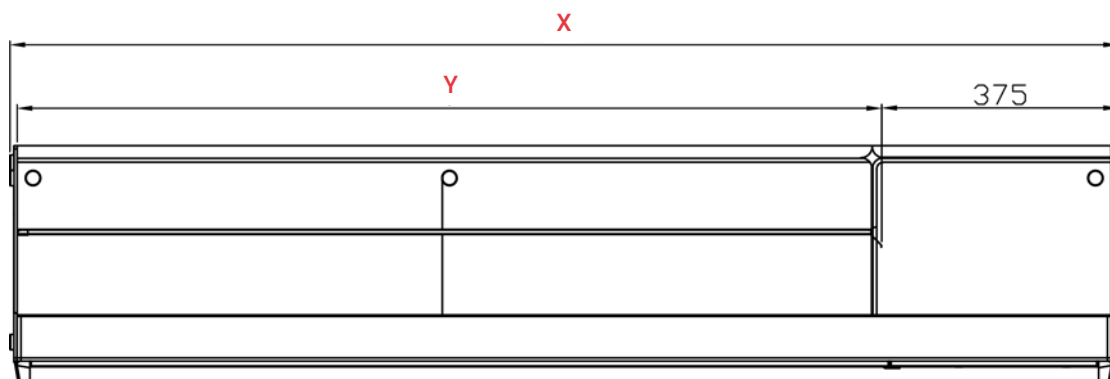
Telephone: 1-800-465-0234 Fax: (905) 607-0234 Email: sales@omcan.com Website: www.omcan.com



Authorized Dealer



TECHNICAL DRAWING



X Y

43492	44.5" 1131 mm	29" 744 mm	<p>715 325 4x1/3 GN plate</p>	
--------------	------------------	---------------	---------------------------------------	--

44393	51" 1307 mm	36" 920 mm	<p>890 325 5x1/3 GN plate</p>	
--------------	----------------	---------------	---------------------------------------	--

44394	58" 1483 mm	43" 1096 mm	<p>1065 325 6x1/3 GN plate</p>	
--------------	----------------	----------------	--	--

44395	69" 1754 mm	53" 1367 mm	<p>1325 325 5x1/2 GN plate</p>	
--------------	----------------	----------------	--	--



FRONT VIEW



BACK VIEW

TECHNICAL SPECIFICATION

	45" wide with 1.55 cu.ft. capacity	51" wide with 2.26 cu.ft. capacity	58" wide with 3 cu.ft. capacity	69" wide with 3.67 cu.ft. capacity
Item	43492	44393	44394	44395
Model	RS-CN-0044	RS-CN-0064	RS-CN-0084	RS-CN-0104
Capacity	1.55 cu.ft. / 44 L	2.26 cu.ft. / 64 L	2.96 cu.ft. / 84 L	3.67 cu.ft. / 104 L
Number of Doors	1 Sliding Door	1 Sliding Door	1 Sliding Door	1 Sliding Door
Number of Pans	4 x 1/3 GN	5 x 1/3 GN	6 x 1/3 GN	5 x 1/2 GN
Power	180 W	180 W	180 W	180 W
Amps	1.6 A	1.6 A	1.6 A	1.6 A
Electrical	110V / 60Hz / 1Ph	110V / 60Hz / 1Ph	110V / 60Hz / 1Ph	110V / 60Hz / 1Ph
Temperature Range	12 to 0°C / 54 to 32°F	12 to 0°C / 54 to 32°F	12 to 0°C / 54 to 32°F	12 to 0°C / 54 to 32°F
Refrigerant	R290	R290	R290	R290
Injection	35g	35g	35g	35g
Interior Dimensions (WDH)	29" x 14" x 11" / 744 x 360 x 285 mm	36" x 14" x 11" / 920 x 360 x 285 mm	43" x 14" x 11" / 1096 x 360 x 285 mm	54" x 14" x 11" / 1367 x 360 x 285 mm
Net Weight	86 lb. / 39 kg.	94.8 lb. / 43 kg.	103.6 lb. / 47 kg.	116.8 lb. / 53 kg.
Net Dimensions (WDH)	44.5" x 15.6" x 14.7" / 1130 x 396 x 374 mm	51.4" x 15.6" x 14.7" / 1130 x 396 x 374 mm	58.4" x 15.6" x 14.7" / 1483 x 396 x 374 mm	69" x 15.6" x 14.7" / 1753 x 396 x 374 mm
Gross Weight	93 lb. / 42 kg.	101 lb. / 46kg.	110 lb. / 50 kg.	125.7 lb. / 57 kg.
Gross Dimensions (WDH)	46.7" x 18.3" x 17" / 1187 x 465 x 430 mm	53.7" x 18.3" x 17" / 1363 x 465 x 430 mm	60.6" x 18.3" x 17" / 1539 x 465 x 430 mm	71.3" x 18.3" x 17" / 1810 x 465 x 430 mm